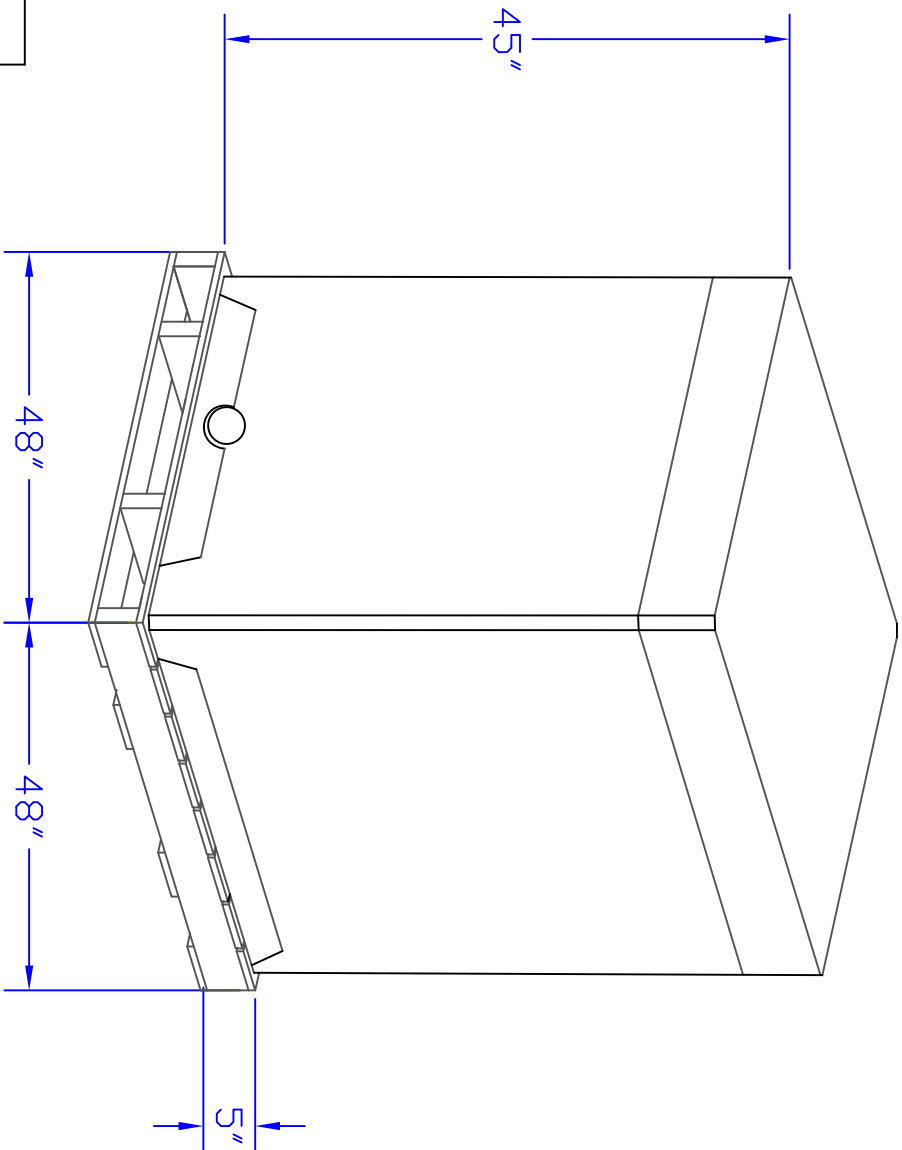




DESCRIPTION:	EZ-SET 330 GAL 48 X 48
VOLUME:	330 GALLON
DIMENSIONS:	INSIDE: 41 3/4" x 41 7/8" OUTSIDE: 44 3/4" x 43 3/4"
OVERALL NOMINAL HEIGHT:	50 1/2" (pallet, container, lid)
HEIGHT:	45"
CONTAINER SYSTEM WEIGHT:	
BOX	65 #
LID	2 #
BOTTOM PAD	2 #
TARE WEIGHT:	69 #
CONSTRUCTION	
NUMBER OF PLYS:	8
USAGE REQUIREMENTS:	
PALLET:	48" X 48" (2 OR 4 WAY)
PALLET WEIGHT:	45-50 #
REQUIREMENT:	4 stringer pallet
STRAPPING/BANDING:	3/4" .023 STEEL OR .035 POLY EQUIVALENT (MIN. 1400# TENSILE)
	4 WAYS (2 X 2) TO PALLET

* STACKING MAY VARY WITH INDIVIDUAL APPLICATIONS

PART #	COM EZ-SET 330
DATE:	07/21/2020
US PATENT #	9,302,806 B2
6127 WILLOWMERE DR. DES MOINES, IA 50321	
PH: 515-280-1111	FAX: 515-280-9219



NOT A CONTROLLED DOCUMENT IF PRINTED