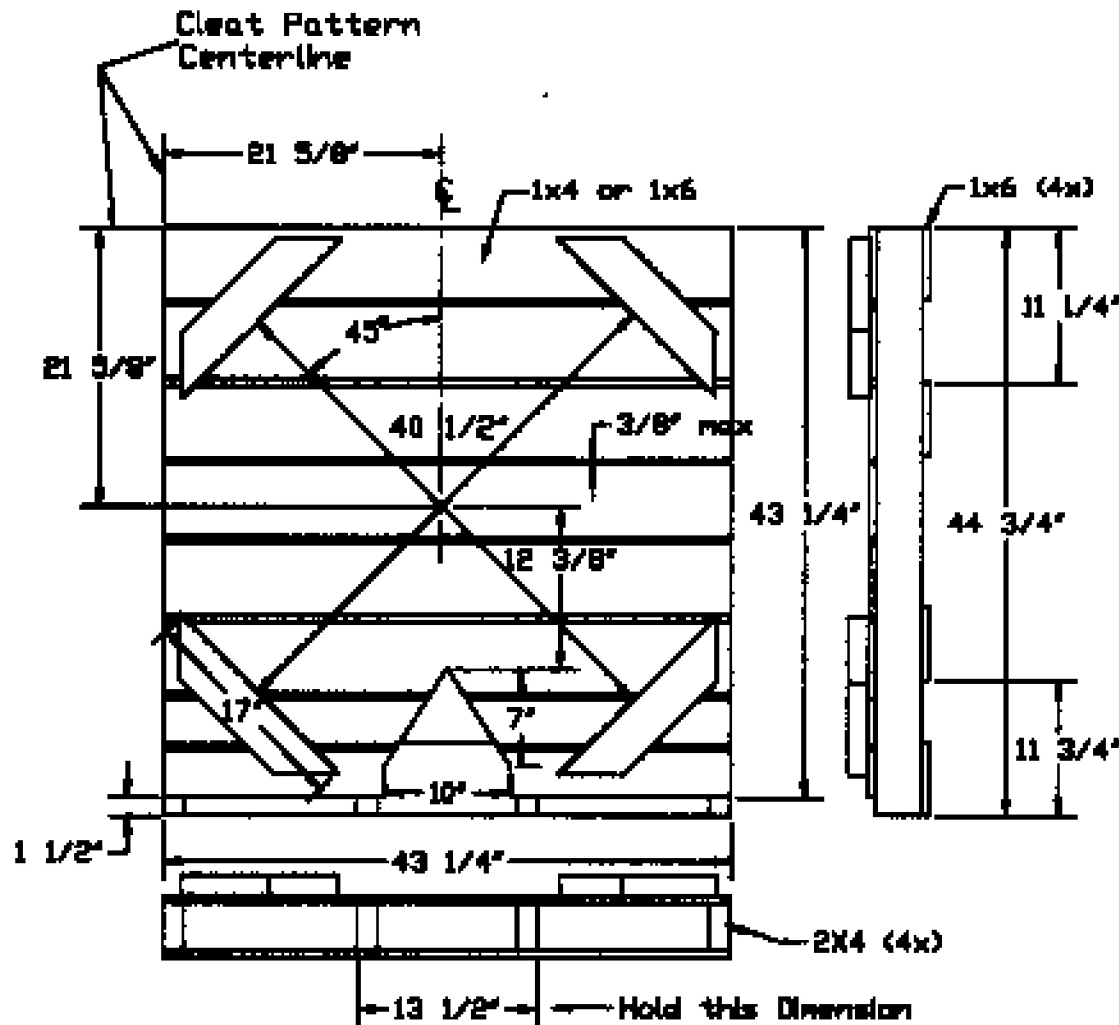


#702104



- Full top deck of 1x4 or 1x6 by 43 1/4" Exact length. Top boards with a maximum 3/8" spacing between boards. Minimum nail length (2 1/2")
- Full 3/4" material
- (4) 2x4x44 3/4" stringers
- Avoid knotty wood in V-cutout area.
- (4) 1x6x43 1/4" maximum length bottom boards.
- (4) 2x4x17" corner cleats properly installed.
- Minimum (8) nails per cleat. Nails used in cleat can be 2 1/2" if nailed from both top and bottom sides.
- Minimum length of nail, 2 1/2" screw nail, glued, required in hardwood.
- Minimum length nail, 2 1/2" ring shank, glued, required in softwood.
- All nails that protrude must be bent over.
- Octagonal template furnished for cleat pattern, cleat pattern is 40 1/2" face to face.
- Color Code/Painted --Green

Paper Systems Inc.	
43" EZ-Drain Pallet	
Revision #702104.A	Eric W.
Scale 1"=7.5"	July 8, 98